



# Diamond Tub & Showers Spec Sheet

Model: S 323473

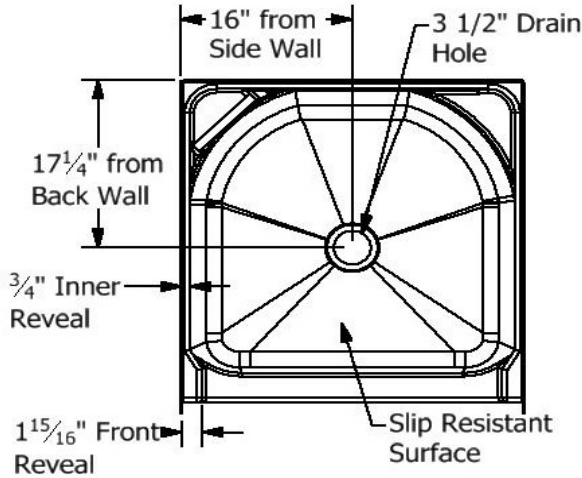
Description: One Piece Shower Unit

## Specifications

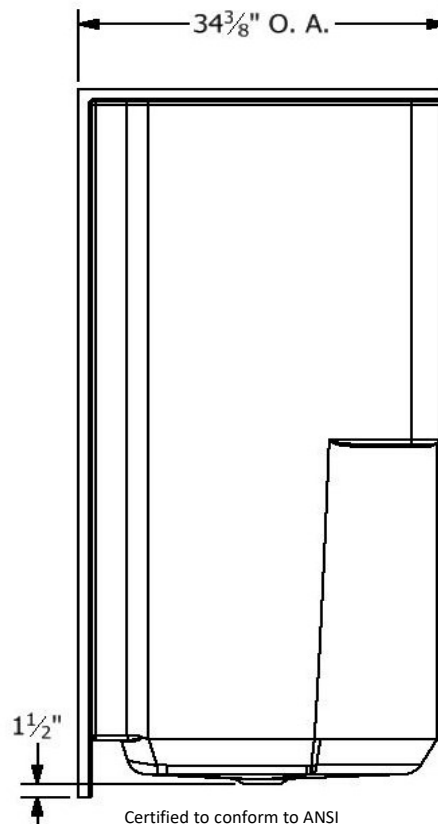
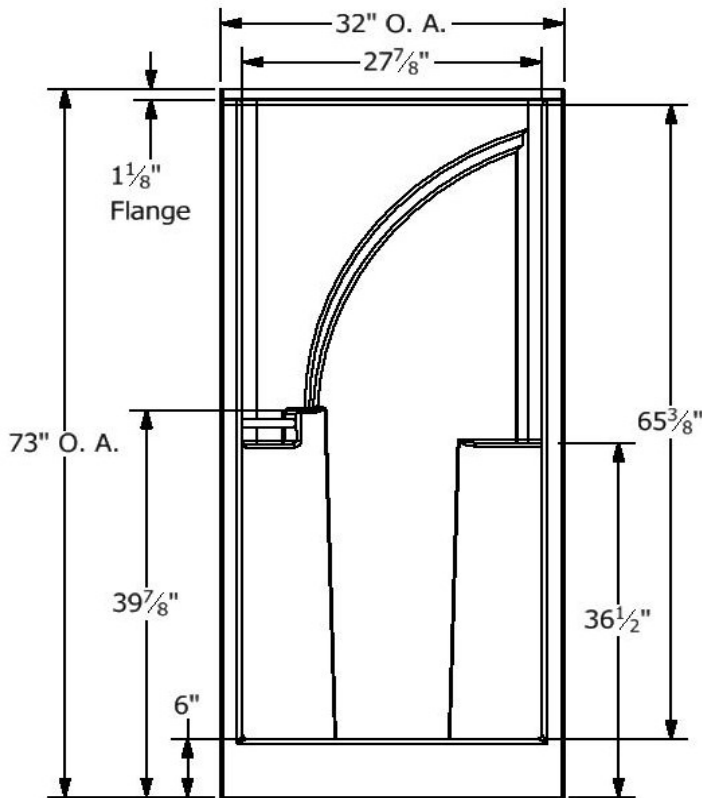
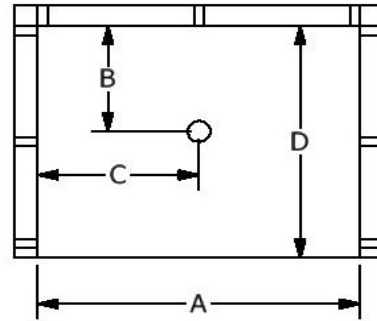
Model #	Material	Wall Finish	Pieces	Drain	Threshold Height	Net Weight Lbs.
S 323473	Fiberglass/Gelcoat	Smooth	1	C	6"	
Enclosure Opening						
Width		Height				
27 7/8"		65 3/8"				

## Framing Dimensions

A	B	C	D
32 1/8"	17 1/4"	16"	34 3/8"



## Framing Specifications



Certified to conform to ANSI Z124.1 and ASTM E- 162 Flame Spread Rating 200 or less and is under a program of factory inspection.

Manufactured by Frontline Mfg., Inc. Warsaw, IN



10/20/20