

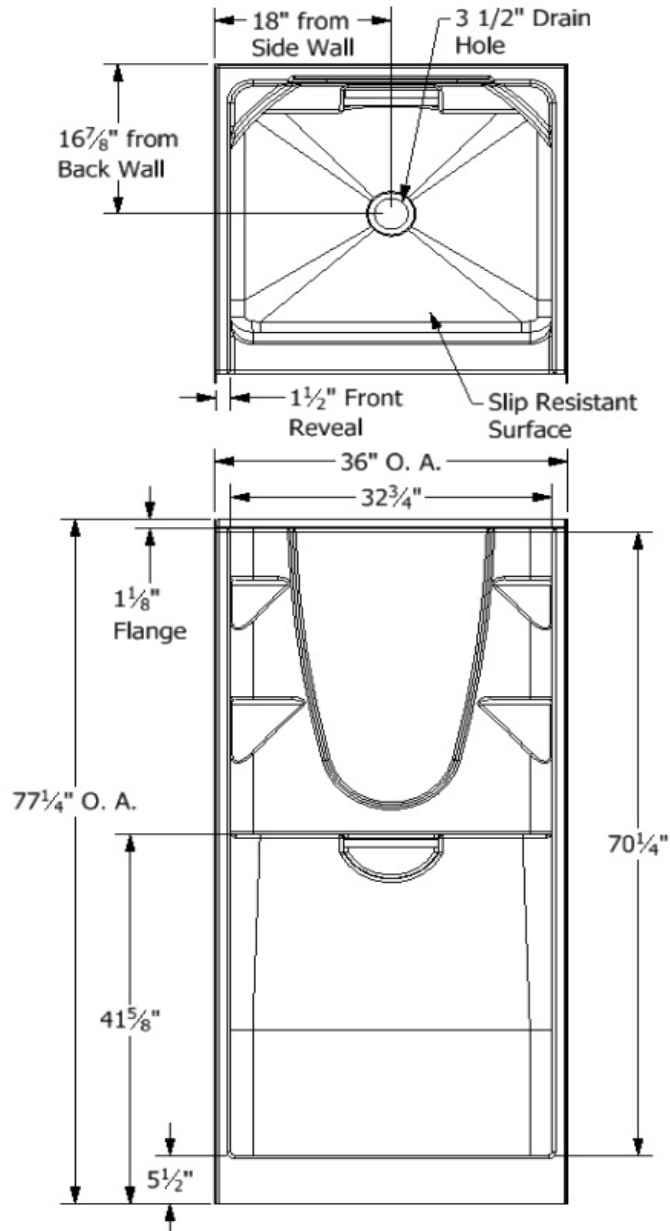
Centennial Tub & Showers Spec Sheet
Model: SC 363677 (SC 3636XX)
Description: Centennial One Piece Shower Unit

Specifications

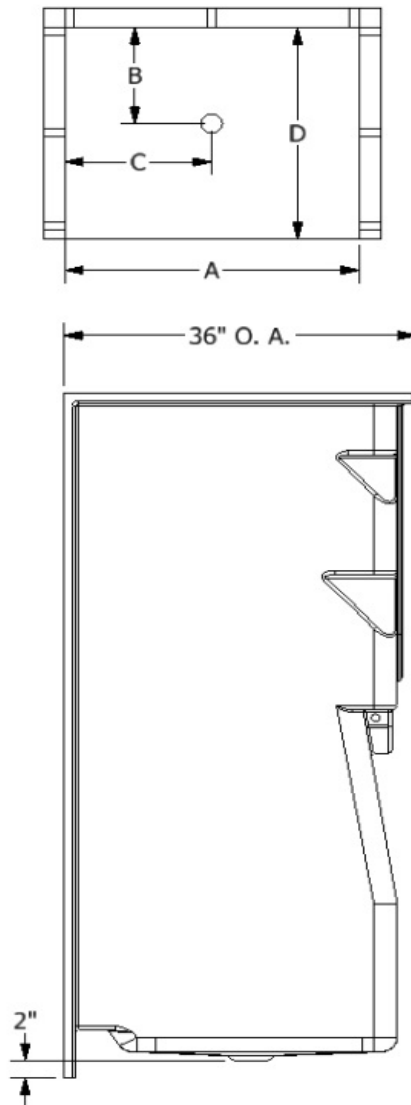
Model #	Material	Wall Finish	Pieces	Drain	Threshold Height	Net Weight Lbs.
SC 363677	Fiberglass/ Gelcoat	Smooth	1	C	5 1/2"	
Enclosure Opening						
Width		Height				
32 3/4"		70 1/4"				

Framing Dimensions

A	B	C	D
36"	16 7/8"	18"	36"




Framing Specifications



Misc. Information

Slope	1/4" / Foot, Minimum 1 Degree - Maximum 4 Degrees
Tolerances	+ 0 / -1/4"
Other Info	

This product is tested by ICC-ES and is certified to conform to the requirements of CSA B45.5/IAMPO Z124 standard.

Manufactured by Frontline Mfg., Inc. Warsaw, IN
 7/23/19