



Diamond Tub & Showers Spec Sheet

Model: SNA 361978 (SNA 3619XX)

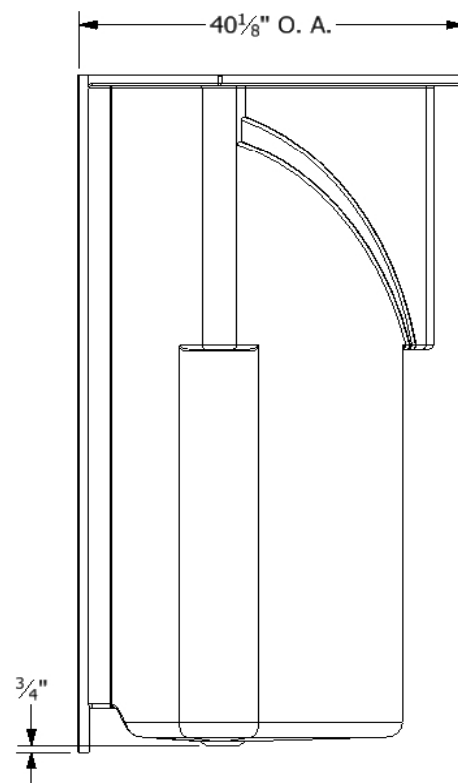
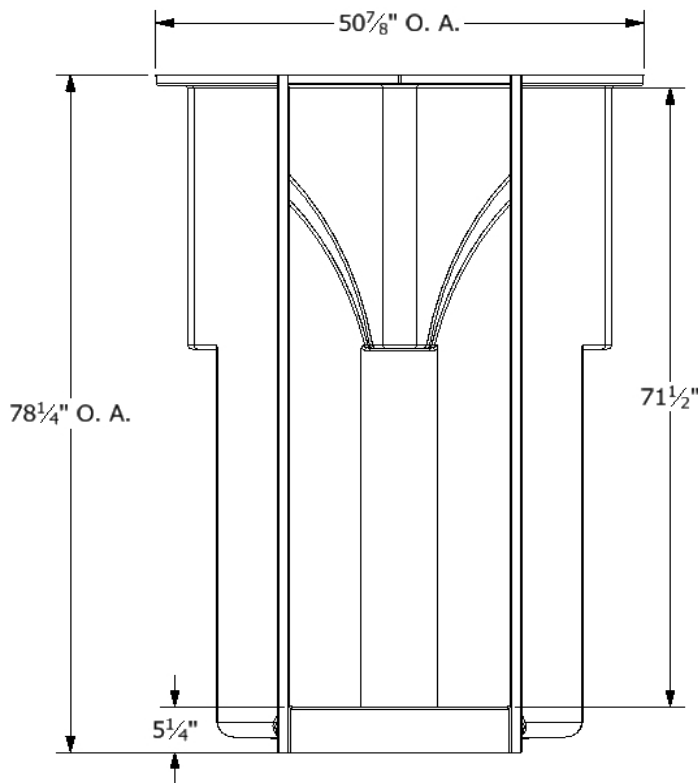
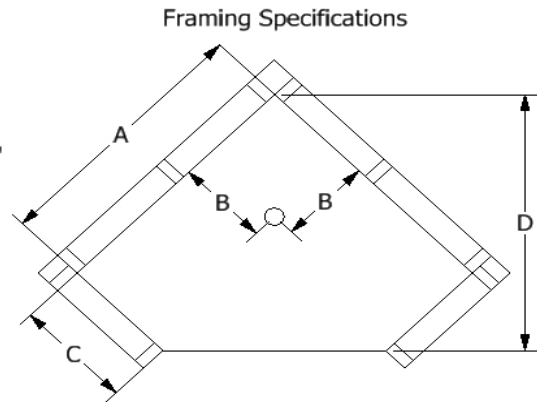
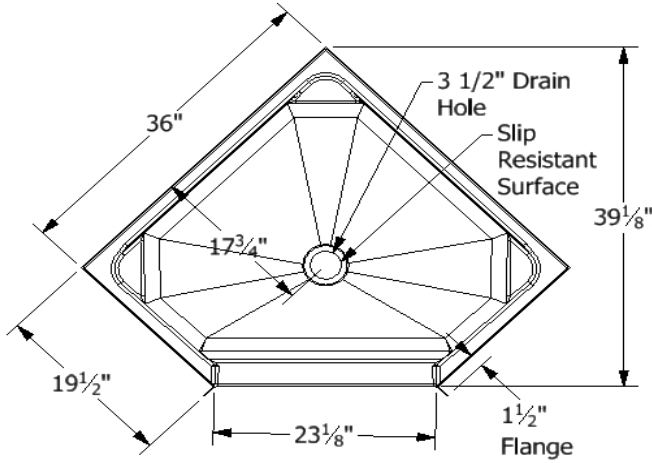
Description: Neo Angle One Piece Shower Unit

Specifications

Model #	Material	Wall Finish	Pieces	Drain	Threshold Height	Net Weight Lbs.
SNA 361978	Fiberglass/Gelcoat	Smooth	1	Center	5 1/4"	
Door Size						
Side	Front	Side	Height			
NA	23 1/8"	NA	71 1/2"			

Framing Dimensions

A	B	C	D
36"	17 3/4"	19 1/2"	39 1/8"



This product is tested by ICC-ES and is certified to conform to the requirements of CSA B45.5/IAMPO Z124 standard.

Manufactured by Frontline Mfg., Inc. Warsaw, IN
 PMG 5/31/19