



Diamond Tub & Showers Spec Sheet

Model: TB 603375 L/R Drain (RH Shown)

Description: Tub/Shower Combo 1 Piece Unit

Specifications

| Model # | Material | Wall Finish | Pieces | Drain | Apron Height | Net Weight Lbs. |
|-----------|--------------------|-------------|--------|-------|--------------|-----------------|
| TB 603375 | Fiberglass/Gelcoat | Smooth | 1 | LH/RH | 15" | |

Sump Data

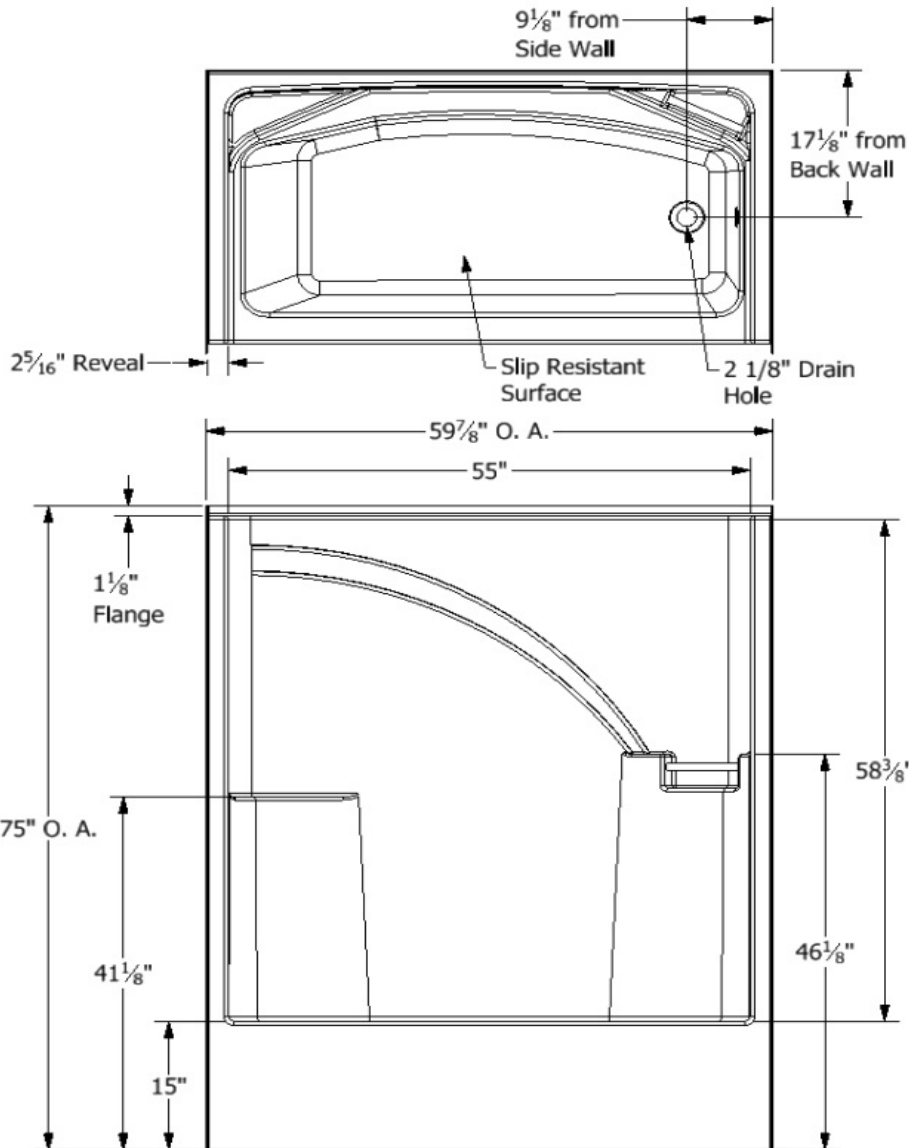
| Top of Drain to Bottom of Overflow | Capacity to Overflow Gallons | Top Dimensions | | Bottom Dimensions | |
|------------------------------------|------------------------------|----------------|---------|-------------------|-------|
| | | Length | Width | Length | Width |
| 9 1/4" | 36.0 | 52 3/16" | 23 1/8" | 41 5/16" | 17" |

Framing Dimensions

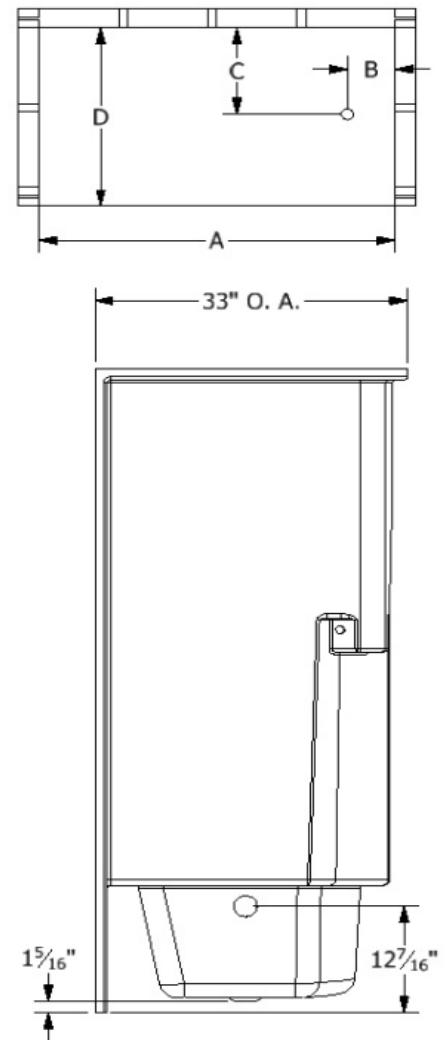
| A | B | C | D |
|-----|--------|---------|-----|
| 60" | 9 1/8" | 17 1/8" | 33" |

Enclosure Opening

| Length | Width |
|--------|---------|
| 55" | 58 3/8" |



Framing Specifications



This product is tested by ICC-ES and is certified to conform to the requirements of CSA B45.5/IAMPO Z124

Manufactured by Front Line Mfg., Inc. Warsaw, IN



5/31/19