



Diamond Tub & Showers Spec Sheet

Model: TO 723622

Description: Drop in Tub

Specifications

Model #	Material	Wall Finish	Pieces	Drain	Apron Height	Net Weight Lbs.
TO 723622	Fiberglass/ Gelcoat	Smooth	1	R or L	NA	

Sump Data

Top of Drain to Bottom of Overflow	Capacity to Overflow Gallons	Top Dimensions		Bottom Dimensions	
		Length	Width	Length	Width
17 1/2"	77.9	66 1/2"	28 1/2"	53"	21"

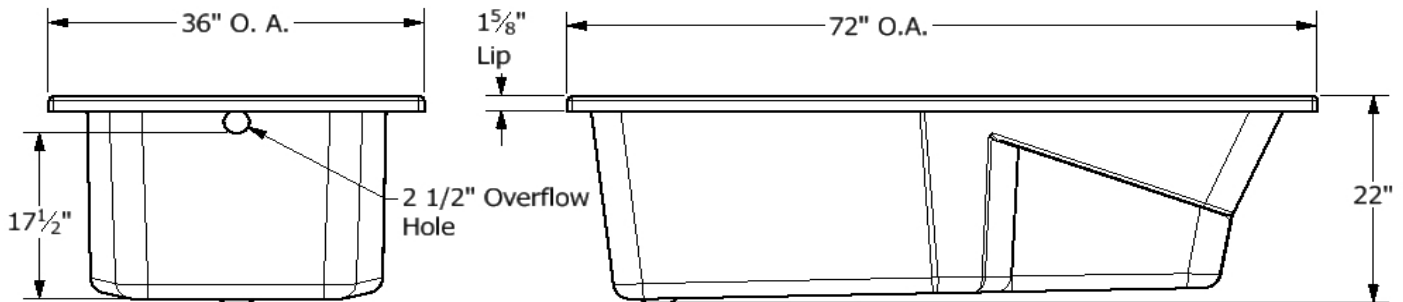
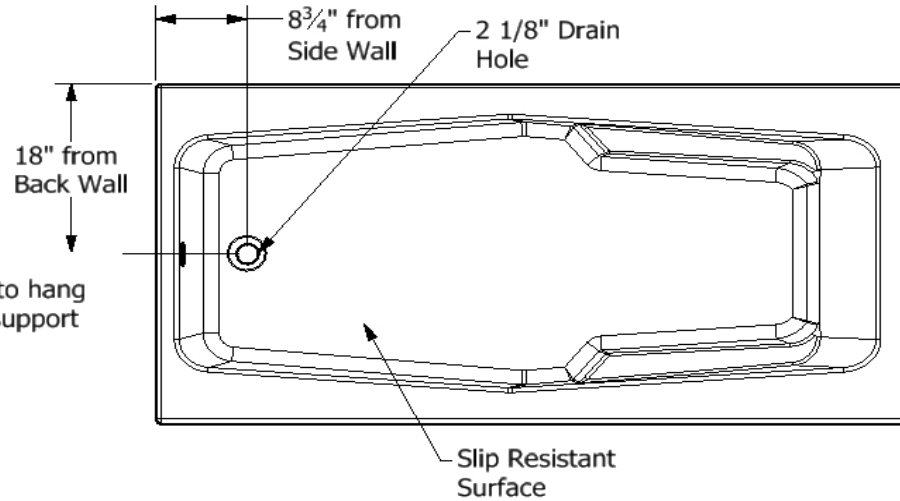
Framing Dimensions

A	B	C	D
NA	NA	NA	NA

Enclosure Opening

Length	Width
NA	NA

Note:
Drop in Tubs are designed to hang from the deck. No bottom support is needed.



This product is tested by ICC-ES and is certified to conform to the requirements of CSA B45.5/IAMPO Z124

Manufactured by FrontLine Mfg., Inc. Warsaw, IN



7/22/19