



# Diamond Tub & Showers Spec Sheet

## Model: TOA 723723 L/R (Left Shown)

### Description: Tub Only with Apron

#### Specifications

Model #	Material	Wall Finish	Pieces	Drain	Apron Height	Net Weight Lbs.
TOA 723723 L/R	Fiberglass/ Gelcoat	Smooth	1	Left/Right	22"	

#### Sump Data

Top of Drain to Bottom of Overflow	Capacity to Overflow Gallons	Top Dimensions		Bottom Dimensions	
		Length	Width	Length	Width
16 1/2"	99.7	67 3/4"	29"	58"	27 3/4"

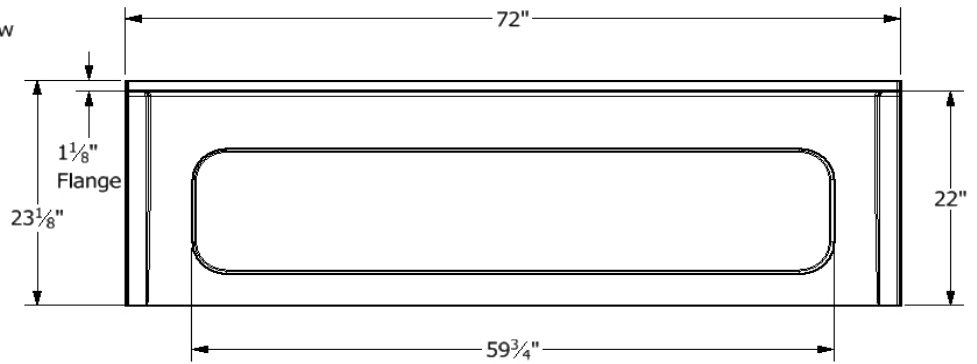
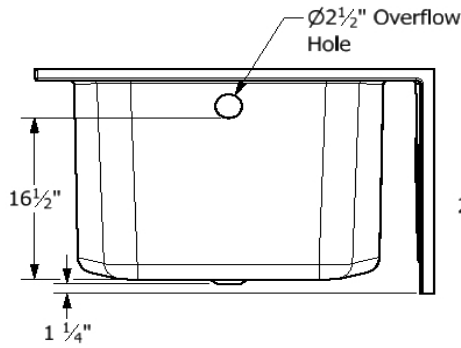
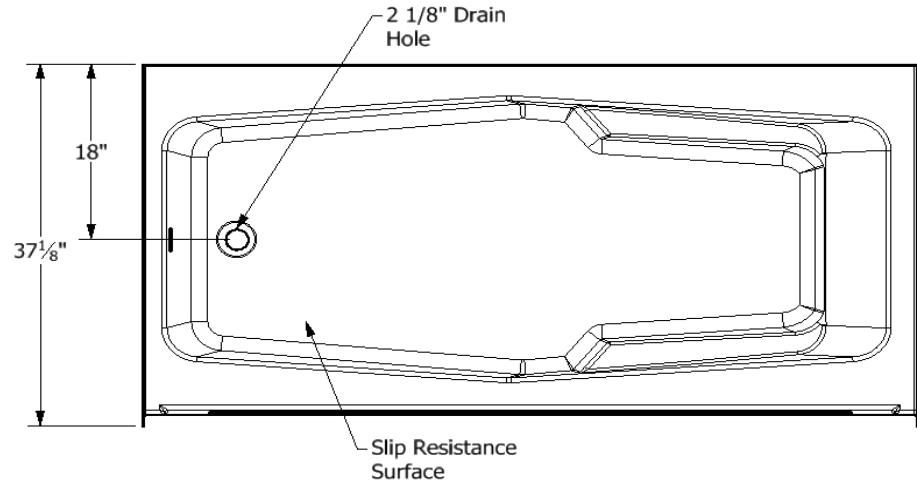
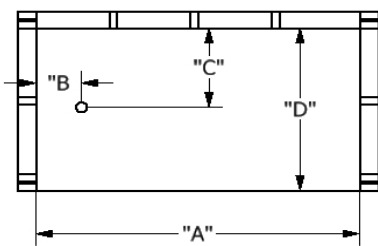
#### Framing Dimensions

A	B	C	D
72"	8 3/4"	18"	37 1/8"

#### Enclosure Opening

Length	Width
NA	NA

#### Framing Specifications



This product is tested by ICC-ES and is certified to conform to the requirements of CSA B45.5/IAMPO Z124

Manufactured by Front Line Mfg., Inc. Warsaw, IN



5/31/19