



# Diamond Tub & Showers Spec Sheet

Model: TOAW 603524

Description: Tub Only with Apron and Wainscot

## Specifications

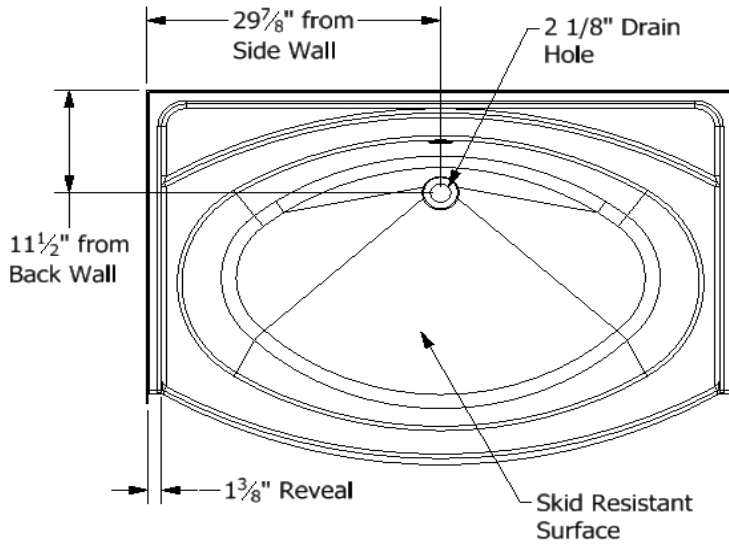
Model #	Material	Wall Finish	Pieces	Drain	Apron Height	Net Weight Lbs.
TOAW 603524	Fiberglass/ Gelcoat	Smooth	1	Center/Back	18 1/8"	

## Sump Data

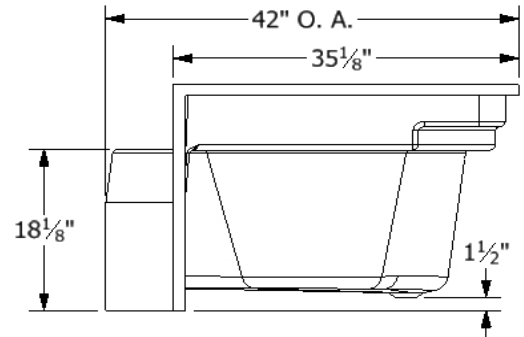
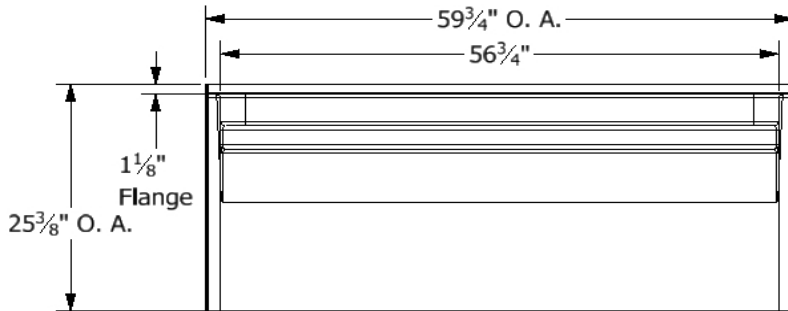
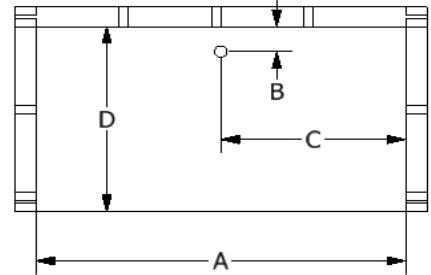
Top of Drain to Bottom of Overflow	Capacity to Overflow Gallons	Top Dimensions		Bottom Dimensions	
		Length	Width	Length	Width
12 1/2"	56.4	53 1/2"	33"	43"	25 1/2"

## Framing Dimensions

A	B	C	D
59 3/4"	11 1/2"	29 7/8"	35 1/8"



## Framing Specifications



This product is tested by ICC-ES and is certified to conform to the requirements of CSA B45.5/IAMPO Z124

Manufactured by Frontline Mfg., Inc. Warsaw, IN



5/31/19