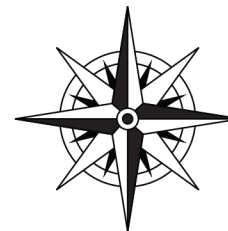


# Cape Collection

Premium Fireclay Reversible Workstation Farmhouse Sink

MODEL:

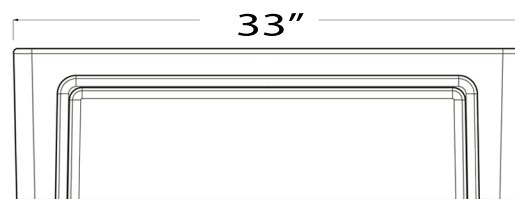
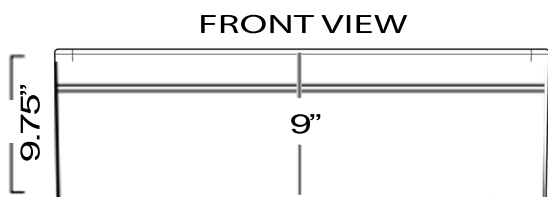
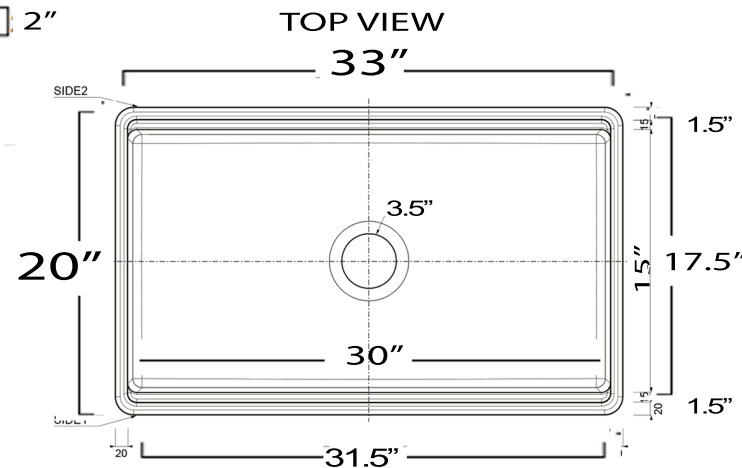
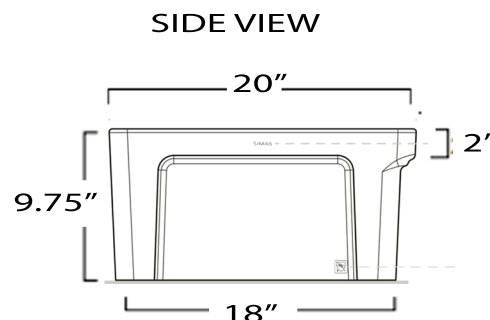
**Dennis33SG**



# Nantucket

S I N K S

www.NantucketSinksUSA.com  
info@nantucketsinksusa.com



Overall Dimensions	Interior Bowl	Apron Height	Bowl Depth	Drain Dimensions
33" x 20" x 9.75"	31.5" x 17.5" top ledge 30" x 15" bottom basin	9.75"	9" at center	3.5" Opening

## FEATURES

- Premium Fireclay Sink with Accacia Wood Cuttingboard
- Drain is not included, may require extended flange/ferrule
- cUPC certified
- Made in Italy - Limited Warranty
- Reversible design/center drain hole

Please Be Advised

- (Nominal Dimensions\*) Actual Dimensions may vary by 1/4"
- Template Not included
- Custom/Apron Cabinet Required- internal cradle to support sink
- Very Heavy 2 Person lift Recommended



Project Name: \_\_\_\_\_

Architect / Contractor: \_\_\_\_\_

Job Notes: \_\_\_\_\_

\_\_\_\_\_

\_\_\_\_\_